

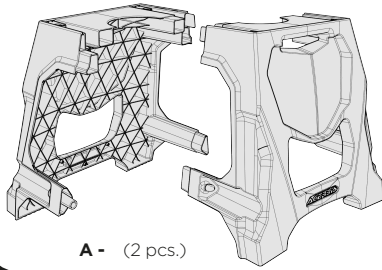
BIKE STAND 711

CAVALLETTO 711



COD. 500006054

ACERBIS PARTS



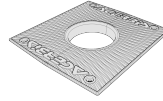
A - (2 pcs.)



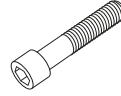
F - (4 pcs.)



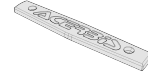
B - (2 pcs.)



G - (1 pcs.)



C - (2 pcs.)



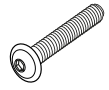
H - (1 pcs.)



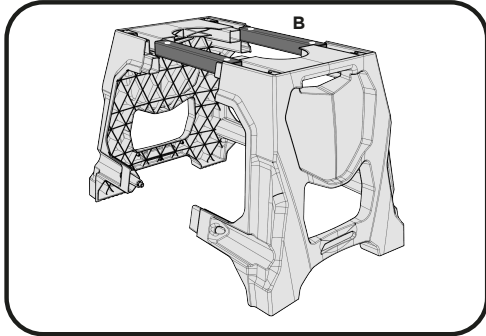
D - (6 pcs.)



I - (2 pcs.)

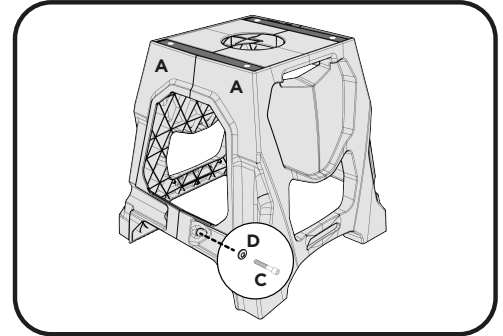


E - (4 pcs.)



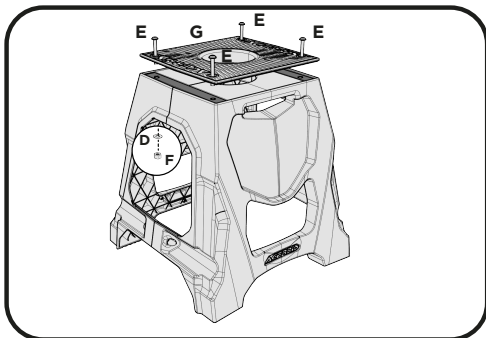
1 - Insert the two (B) rods to connect both sides of the stand (A) Make sure the rods are inserted with the holes pointing upward.

1 - Inserire le 2 barre (B) nella sede indicata. Attenzione che i fori siano rivolti verso l'alto.



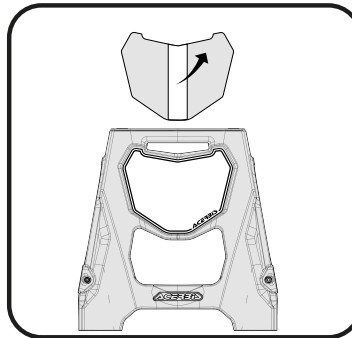
2 - Secure the two sides of the stand (A) by inserting the (C) bolt and the (D) washer into the pre-inserted nuts in the bottom of the stand as indicated in the image. Make sure the pre-inserted nuts are lined up to prevent cross threading.

2 - Fissare le 2 parti (A) con le viti (C) e le rondelle (D). Verificare la posizione dei dadi già inseriti nella parte (A).



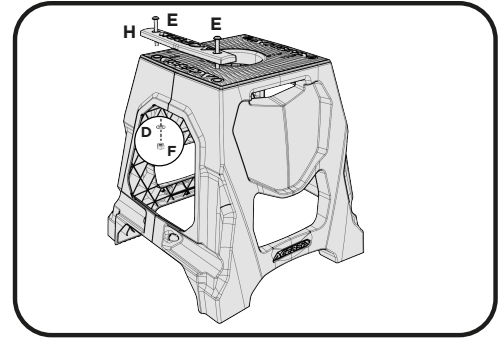
3 - Attach the rubber carpet (G) with the 4 (E) bolts, (D) washers, and (F) nuts.

3 - Montare il tappetino (G) utilizzando le 4 viti (E) le rondelle (D) e i dadi (F).



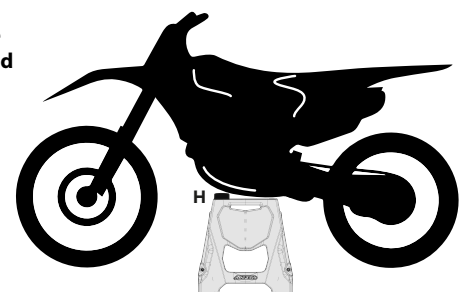
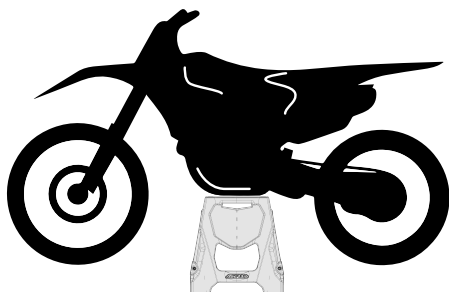
STICKER APPLICATION:
remove the center piece of backing and apply the sticker. Once lined up remove the additional backing and attach to the stand starting at the center and moving outwards to prevent bubbles.

APPLICAZIONE ADESIVO:
Togliere il supporto cartaceo nella parte centrale. Posizionare l'adesivo. Fissarlo centralmente, quindi fissarlo sui lati.



4 - In the case that the bottom of the frame is not parallel to the ground, an additional block (H) is included. Secure the block with the (E) bolts, (D) washers, and (F) nuts.

4 - Attenzione: la parte/rialzo (H) può essere usata per portare in piano la moto nel caso che il telaio non sia parallelo al terreno. Fissarlo con le viti (E) le rondelle (D) e i dadi (F).



WARNING!

Use at your own risk. Check the security of your device before you ride. Be sure that you follow the instructions installing the Acerbis products. Do not ride if there is missing or damaged hardware. If this is the case, take the item immediately back to your dealer. Make sure the throttle and other controls are free every time you ride. Lack of attention to instruction and warning could lead to interference with the controls, loss of control, and accidents. Acerbis recommends that installation must be done by a licensed mechanic and that only Acerbis is original parts are used during fitting. Acerbis makes no guarantees or representations, express or implied, regarding the fitness of its products for any particular purpose. Acerbis makes no guarantees or representations, express or implied, regarding the extent to which its product protect individuals or property from injury or death or damage.